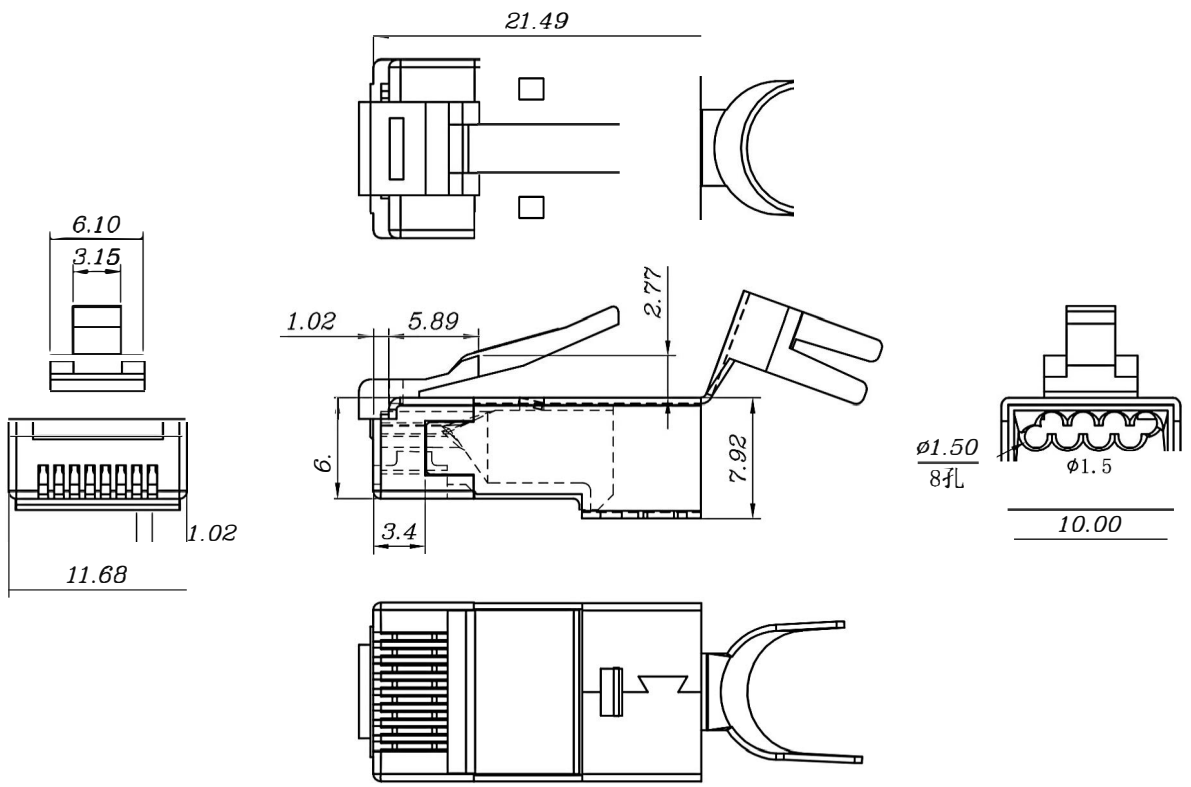


1 2 3 4 5 6 7

| REV | DATE | MODIFICATION | DRAWN |
|-----|--------------------------|--------------|---------|
| B | 2011/03/03 2015/01/14 | | CathyLi |



SPECIFICATIONS

1.ELECTRICAL:
 UL APPLICATIONS: 250 VOLTS AC MAX., AT 2 AMPS.
 DIELECTRIC WITHSTANDING VOLTAGE : 1000 VOLTS AC.
 INSULATION RESISTANCE: 100 MΩ.
 TERMINATION: RESISTANCE 20mΩ MAX AFTER ENVIRONMENTAL TESTING.

2.MECHANICAL:
 CABLE-TO-PLUG TENSILE STRENGTH : 20POUND MIN.
 DURABILITY : 200 MATING CYCLES.

3.MATERIAL & FINISH:
 HOUSING: POLYCARBONATE, UL94V-0 OR UL94V-2.
 COLOR : TRANSPARENT OR OTHER COLOR ARE AVAILABLE.
 CONTACT BLADE: COPPER ALLOY.
 CONDUCTOR : STRANDED & SOLID WIRE , 22AWG, 24 AWG
 (It can be used for the wire OD fromØ 1.35~Ø1.45)
 GOLD PLATING: 3u"~50u",ARE AVAILABLE.

1. 电器:
 UL应用最大250VOLTS AC.
 介质耐电压伏特数:1000VOLTS AC.
 绝缘阻抗:100百万欧姆.
 终端阻抗:在环境测试后最大可承受20微欧姆终端阻抗.

2. 机构
 拉力测试:至少20磅.
 耐力测试:至少200次之插拔测试.

3. 材质表面处理
 塑胶壳:聚碳酸酯,UL-94V-0 or UL94V-2.
 颜色:透明,或者其他颜色亦可.
 金片:铜合金.
 导体:多股线&单股线,22AWG,24AWG.
 (芯线直径:Ø1.35~Ø1.45均可适用)
 镀金厚度:3u"~50u",皆可提供.

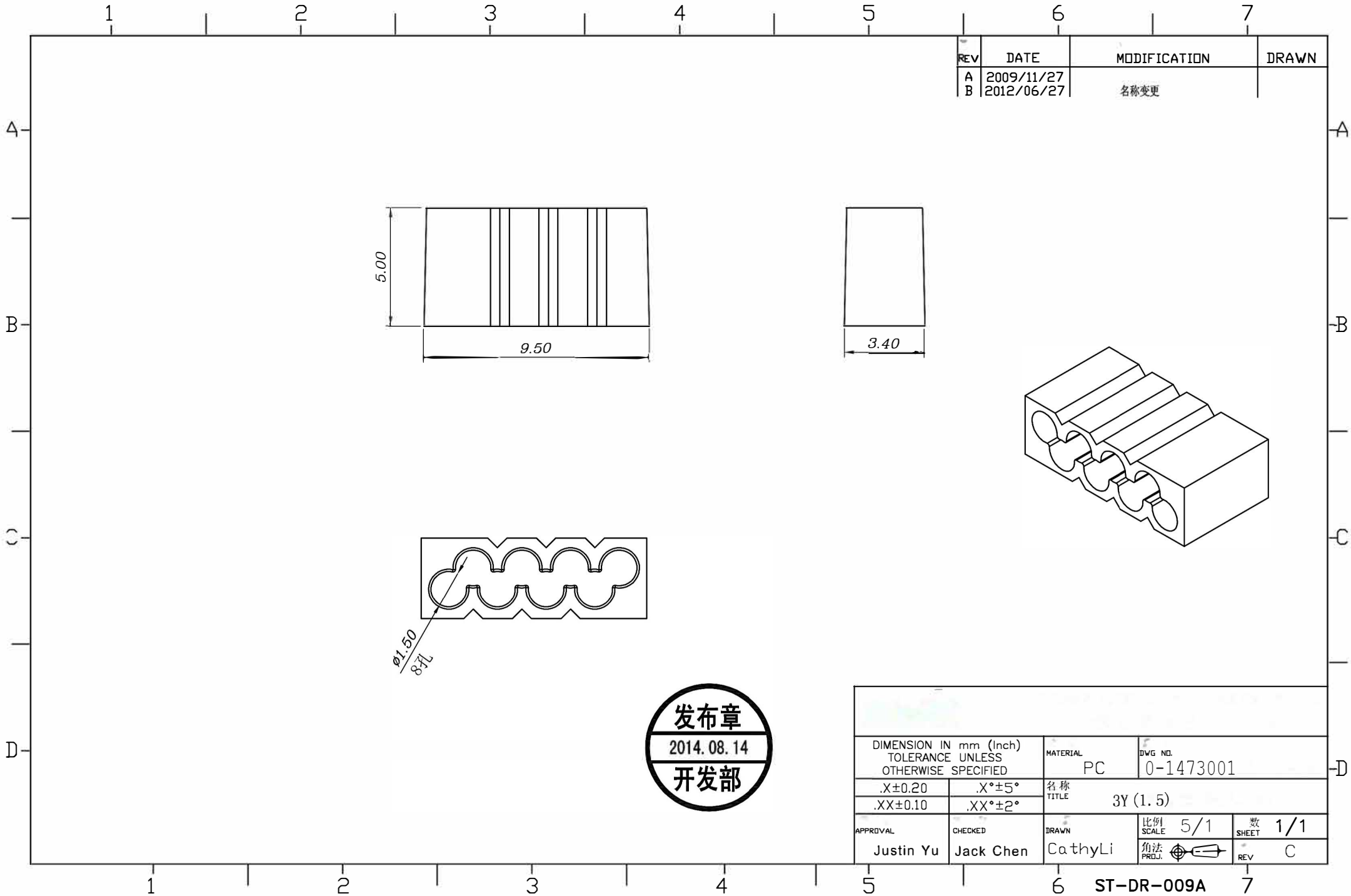
ITEM: Conneu Modular Plug RJ45 Cat. 6a S/FTP

| | | | | | | | | | | |
|--------------|------|-----|-----|------|------|------|------------|-------|------|--|
| BLADE: | YB | Z | AE | AL | ZL | | | | | |
| Drawing | | | | | | | | | | |
| Mark | | ✓ | | | ✓ | | | | | |
| GOLD PLATING | 3Mu" | 3u" | 6u" | 15u" | 30u" | 50u" | CABLE TYPE | ROUND | FLAT | |
| Mark | | | | | ✓ | Mark | ✓ | | | |



| | | | |
|--|-----------|---|-------------|
| DIMENSION IN mm (Inch) TOLERANCE UNLESS OTHERWISE SPECIFIED | | MATERIAL | DWG NO. |
| .X±0.20 .XX±0.10 | | PC | 0-1473001 |
| X°±5° XX°±2° | | TITLE Conneu Plug RJ45 Cat. 6a S/FTP | |
| 审核 APPROVAL | CHECKED | 制图 DRAWN | 比例 SCALE |
| Justin Yu | Jack Chen | CathyLi | 2/1 1/1 |
| | | 角法 PROJ. | B |

1 2 3 4 5 6 ST-DR-009A 7



| REV | DATE | MODIFICATION | DRAWN |
|-----|------------|--------------|-------|
| A | 2009/11/27 | | |
| B | 2012/06/27 | 名称变更 | |

发布章
 2014.08.14
开发部

| | | | |
|---|----------------------|-------------------------|-----------------------|
| DIMENSION IN mm (Inch) TOLERANCE UNLESS OTHERWISE SPECIFIED | | MATERIAL PC | DWG. NO. 0-1473001 |
| .X±0.20 | .X°±5° | 名称 TITLE 3Y (1.5) | |
| .XX±0.10 | .XX°±2° | 比例 SCALE 5/1 | |
| APPROVAL Justin Yu | CHECKED Jack Chen | DRAWN CathyLi | 数 SHEET 1/1 |
| | | 角法 PROJ. | REV C |

ST-DR-009A